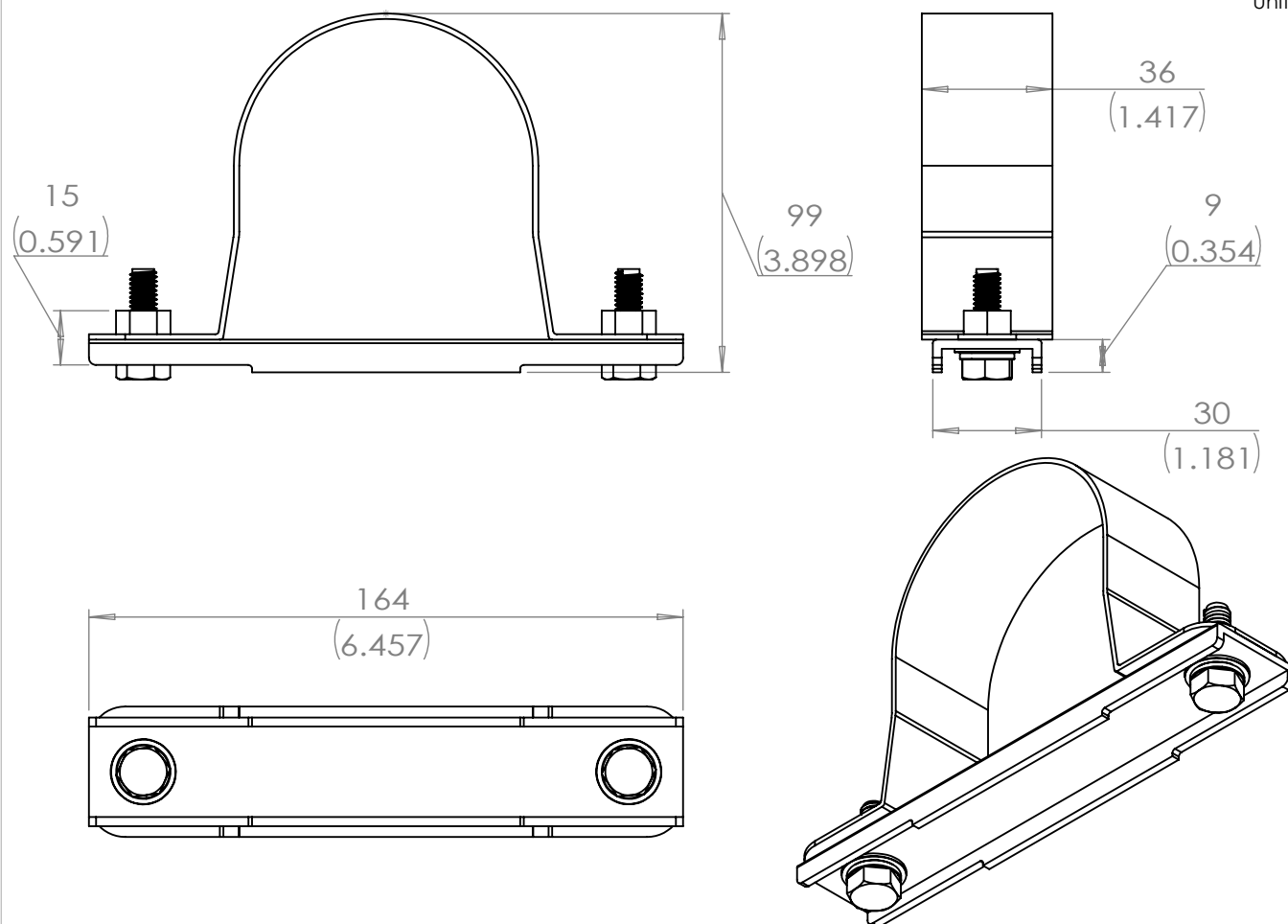
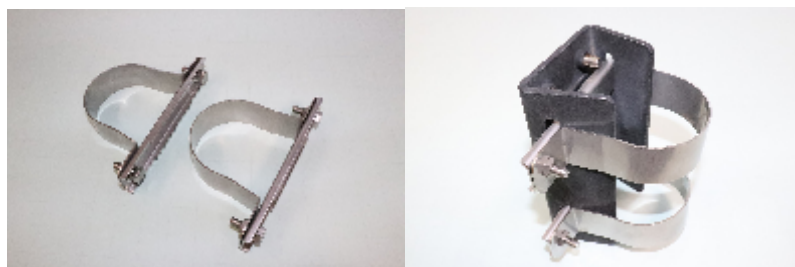


Unit: mm  
[ inch ]



\*Note: Pole Mount Adapter A-BK3/3S is not included in this product.



## A-BK7680

φ75-80mm Pole Adapter(Exclusively for our Pole Mount Adapter A-BK3/3S Series)

### Specifications

Adaptable Pole Diameter	: Φ75mm ~ Φ80mm
Compatible Pole Mount	: Our A-BK3/A-BK3S Series Only
Max Wind Load	: Our product will not be destroyed by maximum 50m/sec (167ft/sec) wind load *This bracket cannot be guaranteed for other products.
Material	: Stainless (SUS304)
Color & Paint	: No Paint
Weight	: Approx 0.5kg(1.10 lbs)
Standard Accessories	: M8x25mm Hex Stainless(SUS304) Screw/ Spring/Washer x 4
Standard & Compliance	: RoHs