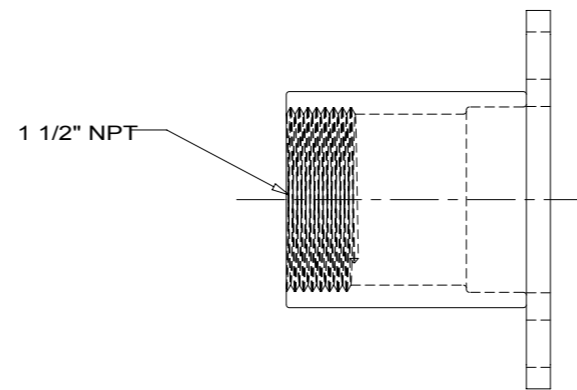
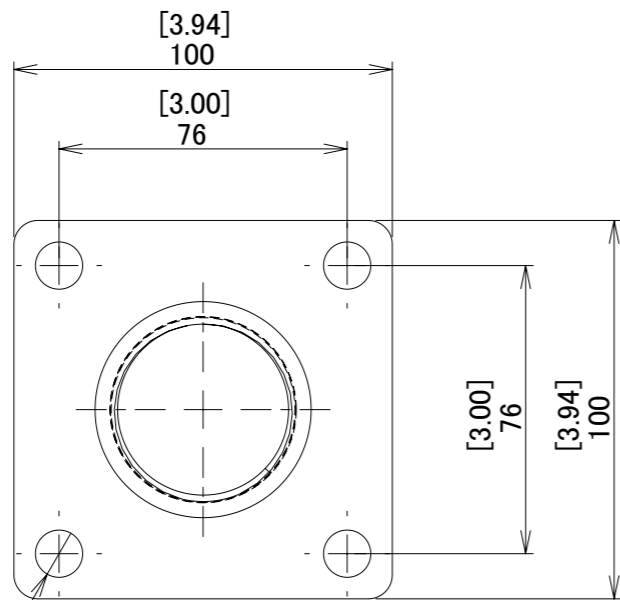
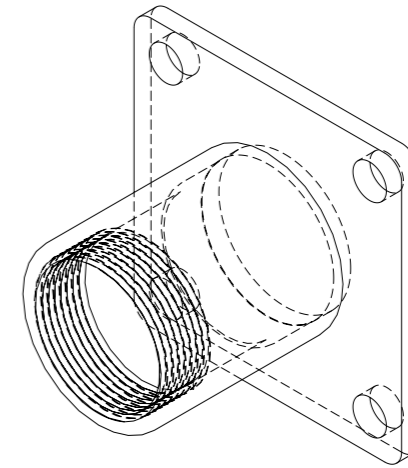
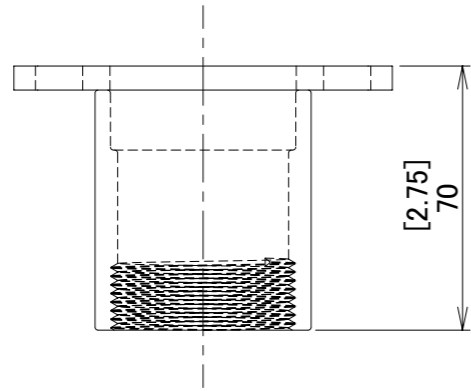


REVISIONS				
ZONE	REV	DESCRIPTION	DATE	APPROVED



[0.492]  
Ø 12.5

Finish: Powder Coat RAL 9002 Fine Texture

DRAWN	DATE	ASC-USA		
		1 1/2 NPT Ceiling Mount		
CHECKED		SIZE	FSCM NO.	DWG NO.
QA		<b>B</b>		<b>A-CM100NPT-OW</b>
MFG		SCALE		REV
APPROVED				
				SHEET