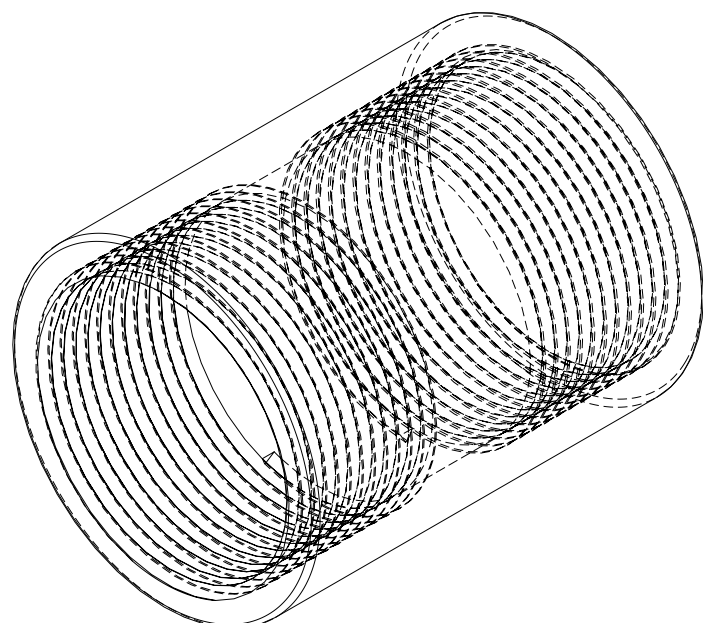
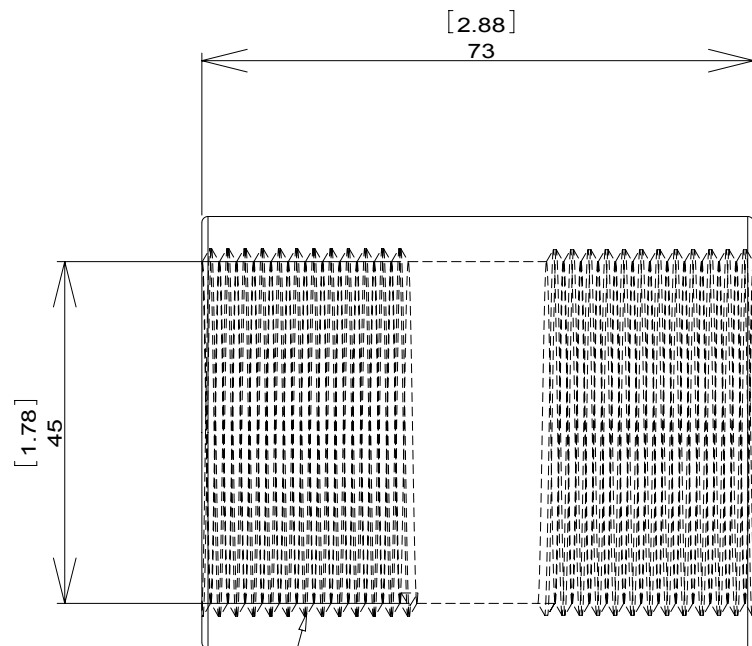
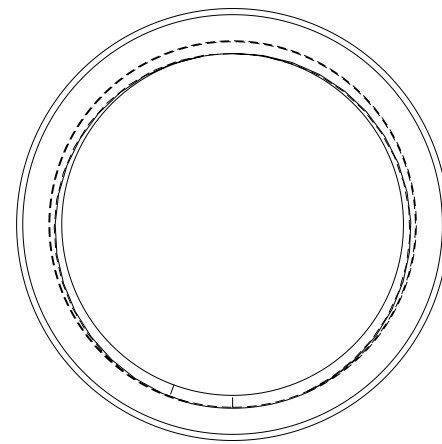




| REVISIONS | | | | |
|-----------|-----|-------------|------|----------|
| ZONE | REV | DESCRIPTION | DATE | APPROVED |
| | | | | |



1 1/2" NPSM THREADS X 1.13" DEEP
BOTH ENDS

[inch]
mm

MATERIAL: 2.25" OD PIPE - 1.75" ID
NOTE: BREAK SHARP EDGES
RAL 9002 FINE TEXTURE EXTERIOR

| | | | | | |
|----------|---------|----------------------|----------|-----------------------------|-----|
| DRAWN | DATE | ASC-USA, INC | | | |
| | CHECKED | | | | |
| | QA | 1 1/2" PIPE COUPLING | | | |
| | MFG | | | | |
| APPROVED | SCALE | SIZE B | FSCM NO. | DWG NO. A-JC3INCH | REV |
| SHEET | | | | | |

