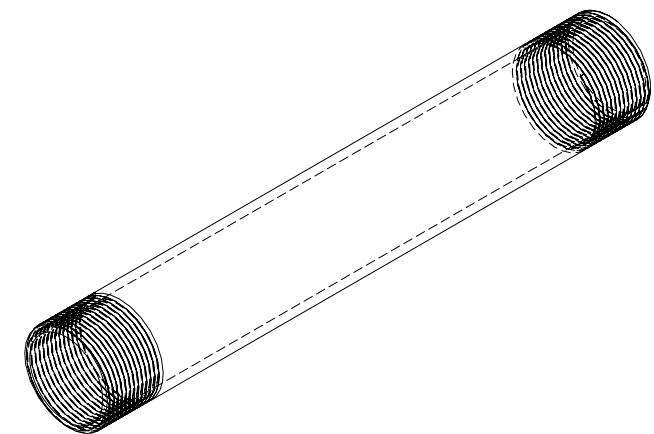
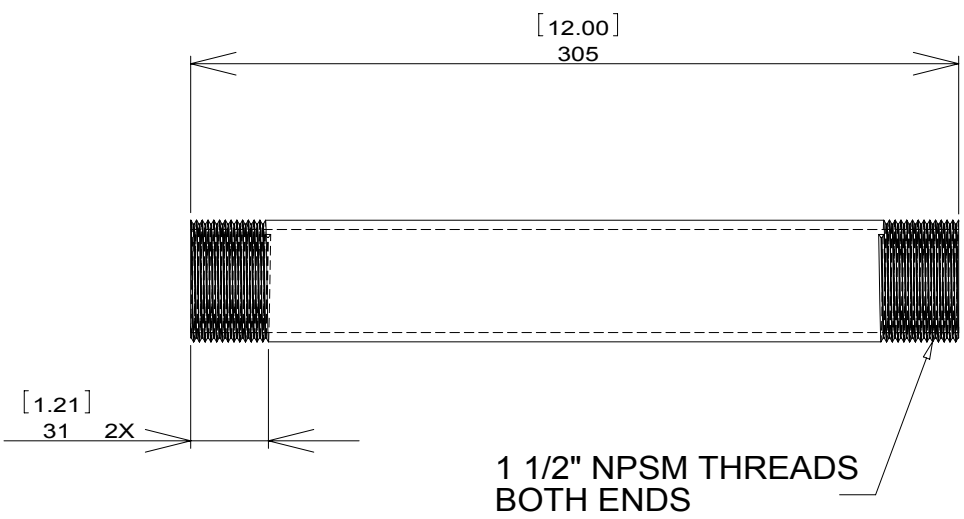
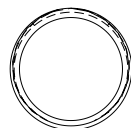


REVISIONS				
ZONE	REV	DESCRIPTION	DATE	APPROVED



[inch]
mm

MATERIAL: 1.5" SCHEDULE 40 PIPE
FINISH: RAL 9002 FINE TEXTURE EXTIOR

	DRAWN	DATE	ASC-USA,INC			
	CHECKED					1 1/2" PIPE COUPLING 1 FT
	QA		SIZE	FSCM NO.	DWG NO.	
	MFG		B		A-PIPE1F	
	APPROVED		SCALE		SHEET	